

WH Turn L

rotatable universal wall mount

Item no.: 5693

The WH Turn L is a rotatable wall mount. It is suitable for screens up to a maximum of VESA 600 x 400 mm.

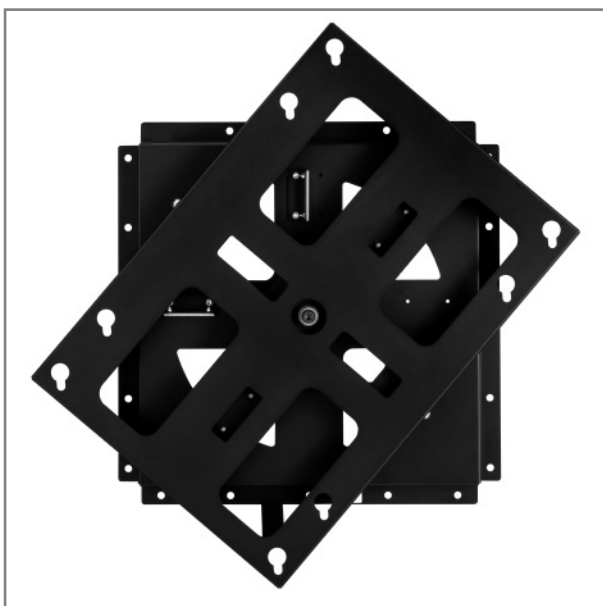
The installation can be done in landscape as well as portrait orientation. A change in the orientation is, thanks to the clever spring mechanism, possible at any time with very little effort (0 - 90°).

The surface of the wall mount is finished with a impact and scratch resistant powder-coating (black).

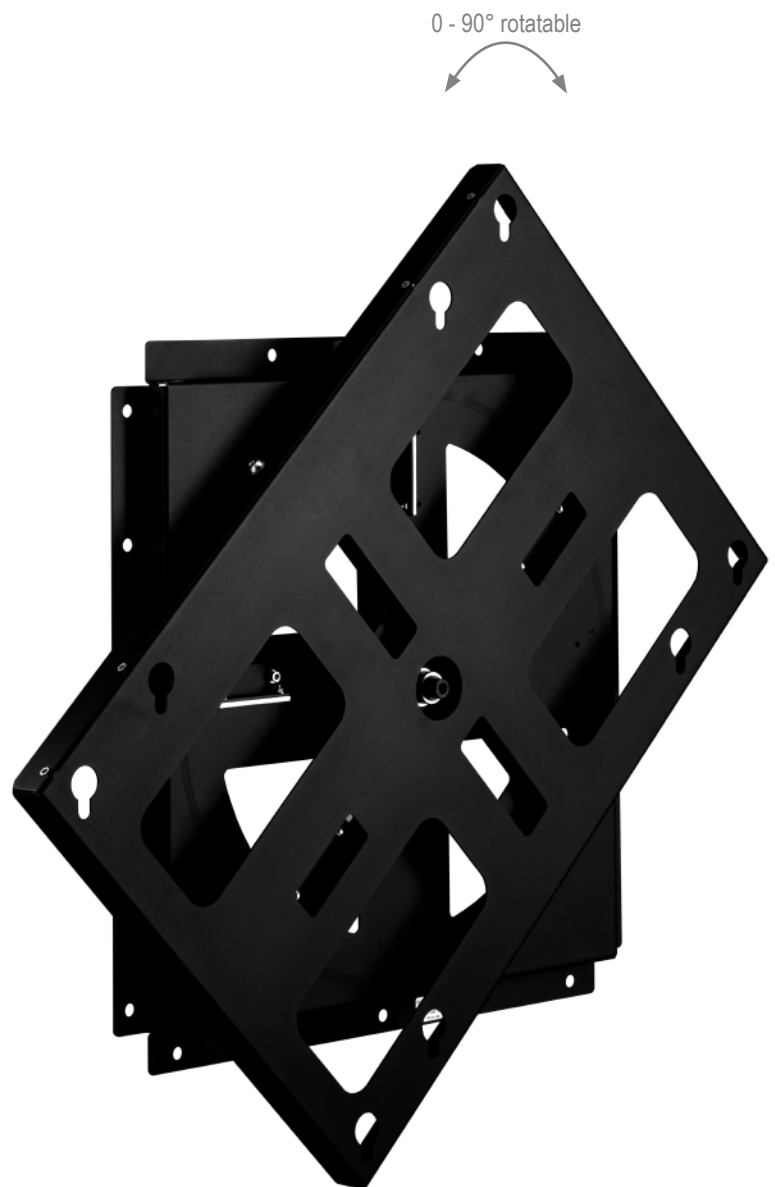
The maximum load is 65 kg.



Locking screw



Easy switching between landscape and portrait orientation



0 - 90° rotatable

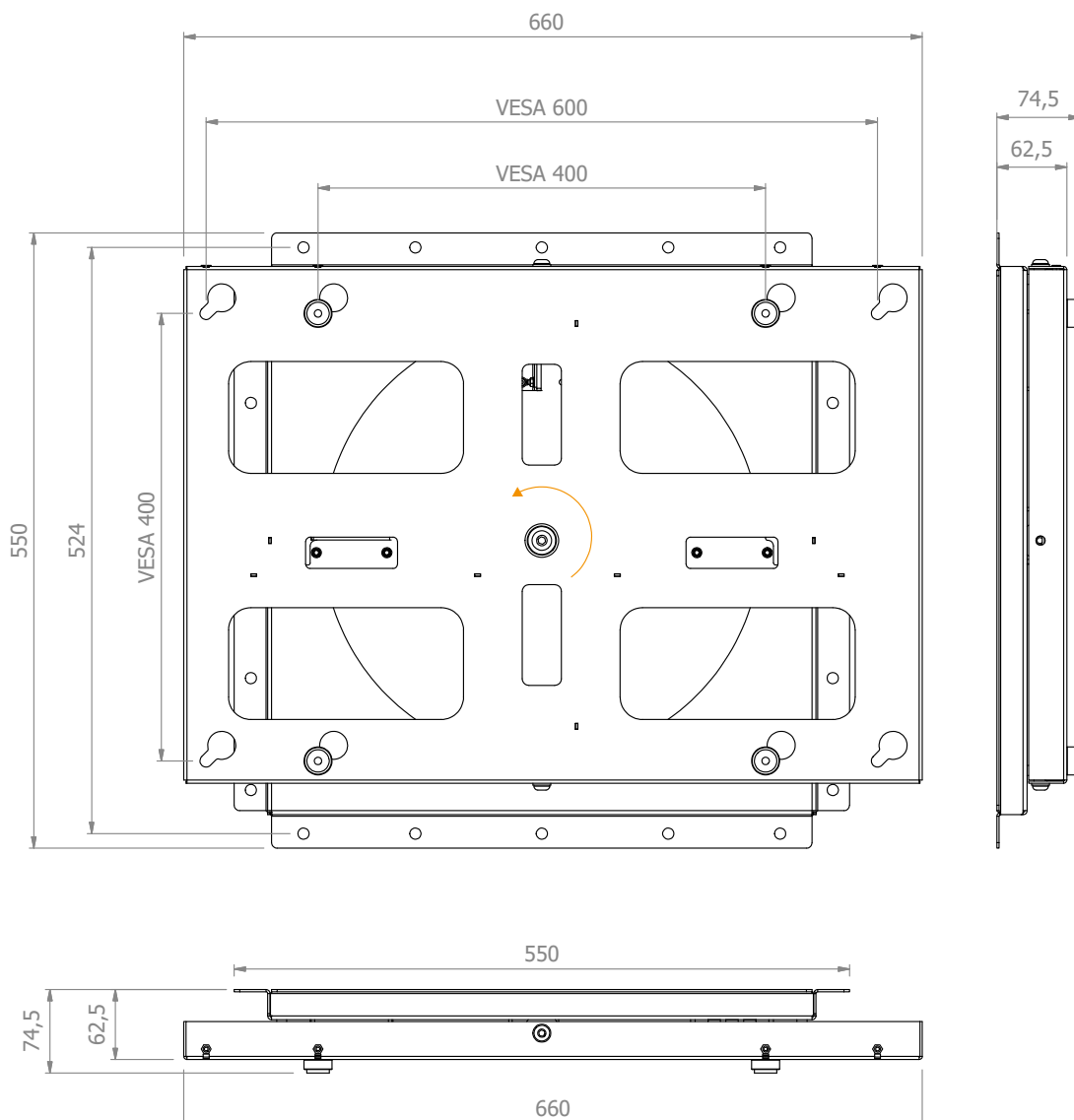
Technical changes reserved

WH Turn L

rotatable universal wall mount

Item no.: 5693

- 55 - 75" | 140 - 191 cm
- for screens with VESA 600 x 400 mm max.
- freely rotatable from 0 - 90°, including lock function
- Switch between landscape and portrait format - without removal of the screen
- little effort required thanks to the clever spring mechanism
- Colour: black
- impact and scratch resistant powder-coating
- 74,5 mm distance to wall
- 65 kg load, max.
- easy assembly



Technical changes reserved